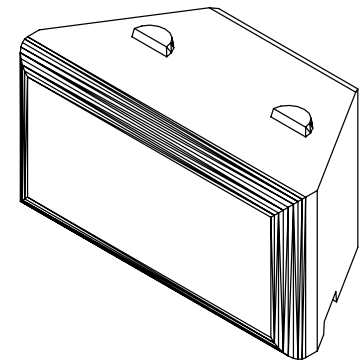


Specs:
 2' x 2' x 4' Face
 1,750 lbs



815 N.E. 172nd Ave.
 VANCOUVER, WA 98684
 800-377-3877 PH
 360-694-0281 FAX

TITLE: Stoneterra -Full Block

DRAWN BY: MLS

DATE: n/a

SHEET #: ST-100

SCALE: NTS