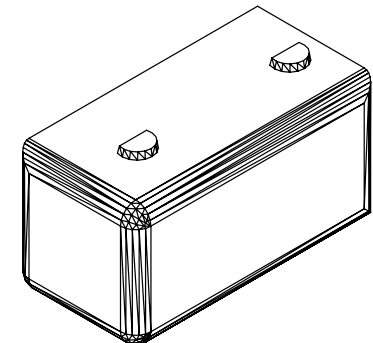


Specs:

2' x 2' x 4' (Face 1)

2' x 2' x 2' (Face 2)

2,300 lbs



815 N.E. 172nd Ave.
 VANCOUVER, WA 98684
 800-377-3877 PH
 360-694-0281 FAX

TITLE: Stoneterra -Full Corner (Right / Left)

DRAWN BY: MLS

DATE: n/a

SCALE: NTS

SHEET #: ST-102