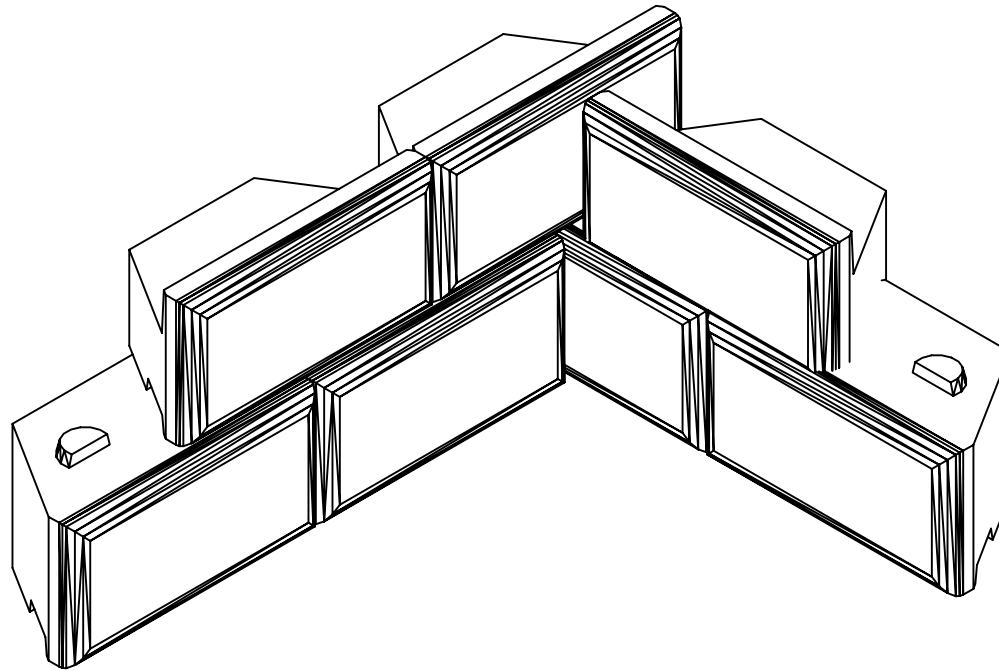


PRE-CAST CONCRETE STONETERRA SYSTEM  
TYPICAL INSIDE 90° CORNER



Not for construction unless  
reviewed by structural engineer.

		815 N.E. 172nd Ave. VANCOUVER, WA 98684 800-377-3877 PH 360-694-0281 FAX	
TITLE: TYPICAL INSIDE 90° CORNER	DRAWN BY: AMD	DATE: 04/07/09	SHEET #: 5
		SCALE: NTS	