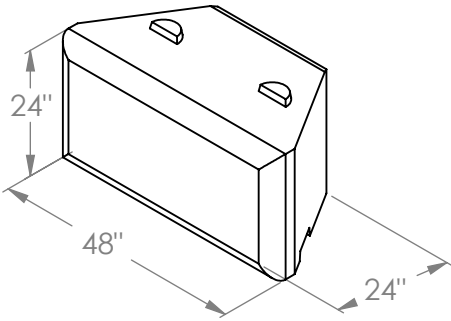


# STONETERRA BLOCK SERIES

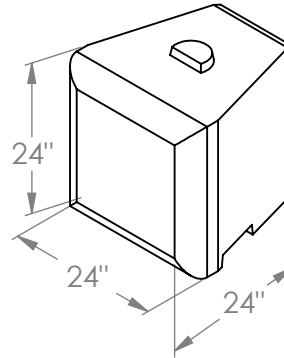
## FULL BLOCK

WEIGHT = 1750 Lb (794 Kg)  
 VOLUME = 12.5 cft (0.4 m<sup>3</sup>)  
 OVERALL = 24 X 24 X 48 in



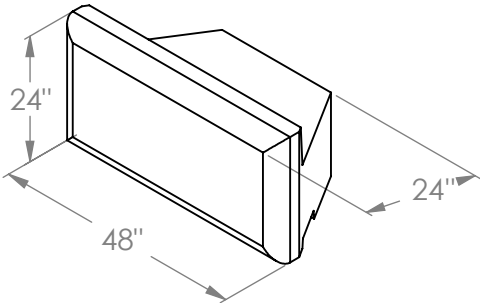
## HALF BLOCK

WEIGHT = 905 Lb (411 Kg)  
 VOLUME = 6.3 cft (0.2 m<sup>3</sup>)  
 OVERALL = 24 X 24 X 24 in



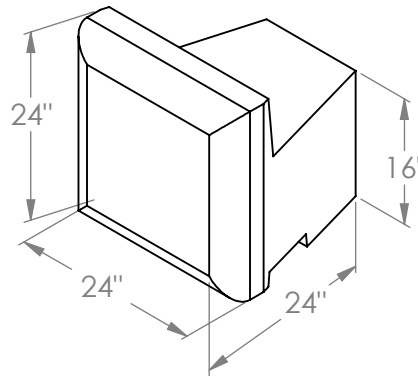
## FULL BENCH

WEIGHT = 1375 Lb (623 Kg)  
 VOLUME = 9.6 cft (0.3 m<sup>3</sup>)  
 OVERALL = 24 X 24 X 48 in



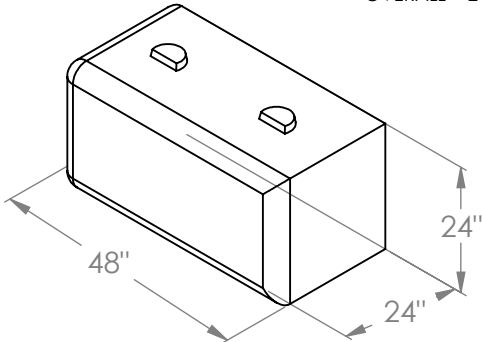
## HALF BENCH

WEIGHT = 695 Lb (315 Kg)  
 VOLUME = 4.8 cft (0.15 m<sup>3</sup>)  
 OVERALL = 24 X 24 X 24 in



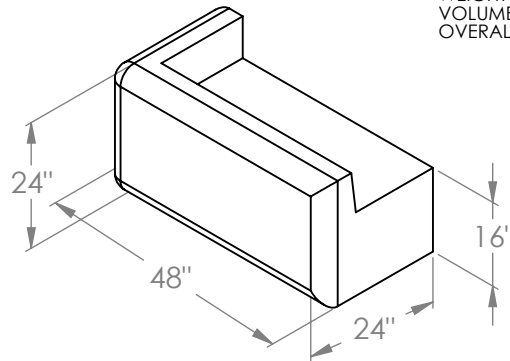
## FULL CORNER

WEIGHT = 2300 Lb (1043 Kg)  
 VOLUME = 15.5 cft (0.4 m<sup>3</sup>)  
 OVERALL = 24 X 24 X 48 in



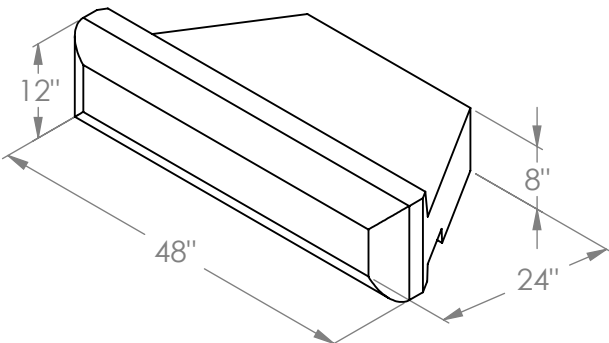
## FULL BENCH CORNER

WEIGHT = 1800 Lb (816 Kg)  
 VOLUME = 12.11 cft (0.34 m<sup>3</sup>)  
 OVERALL = 24 X 24 X 48 in



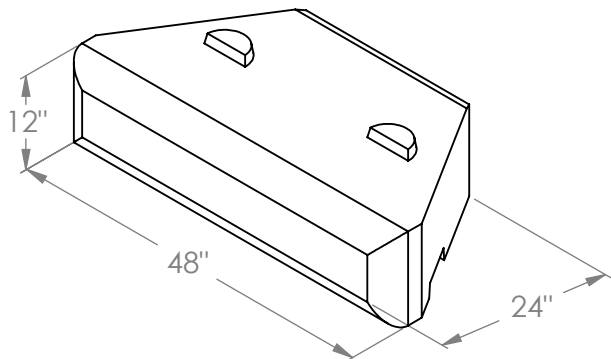
## 12-INCH BENCH

WEIGHT = 660 Lb (300 Kg)  
 VOLUME = 4.6 cft (0.13 m<sup>3</sup>)  
 OVERALL = 12 X 24 X 48 in



## 12-INCH BLOCK

WEIGHT = 875 Lb (397 Kg)  
 VOLUME = 6 cft (0.2 m<sup>3</sup>)  
 OVERALL = 12 X 24 X 48 in



NOTES:  
 Actual block weight and volume may vary.